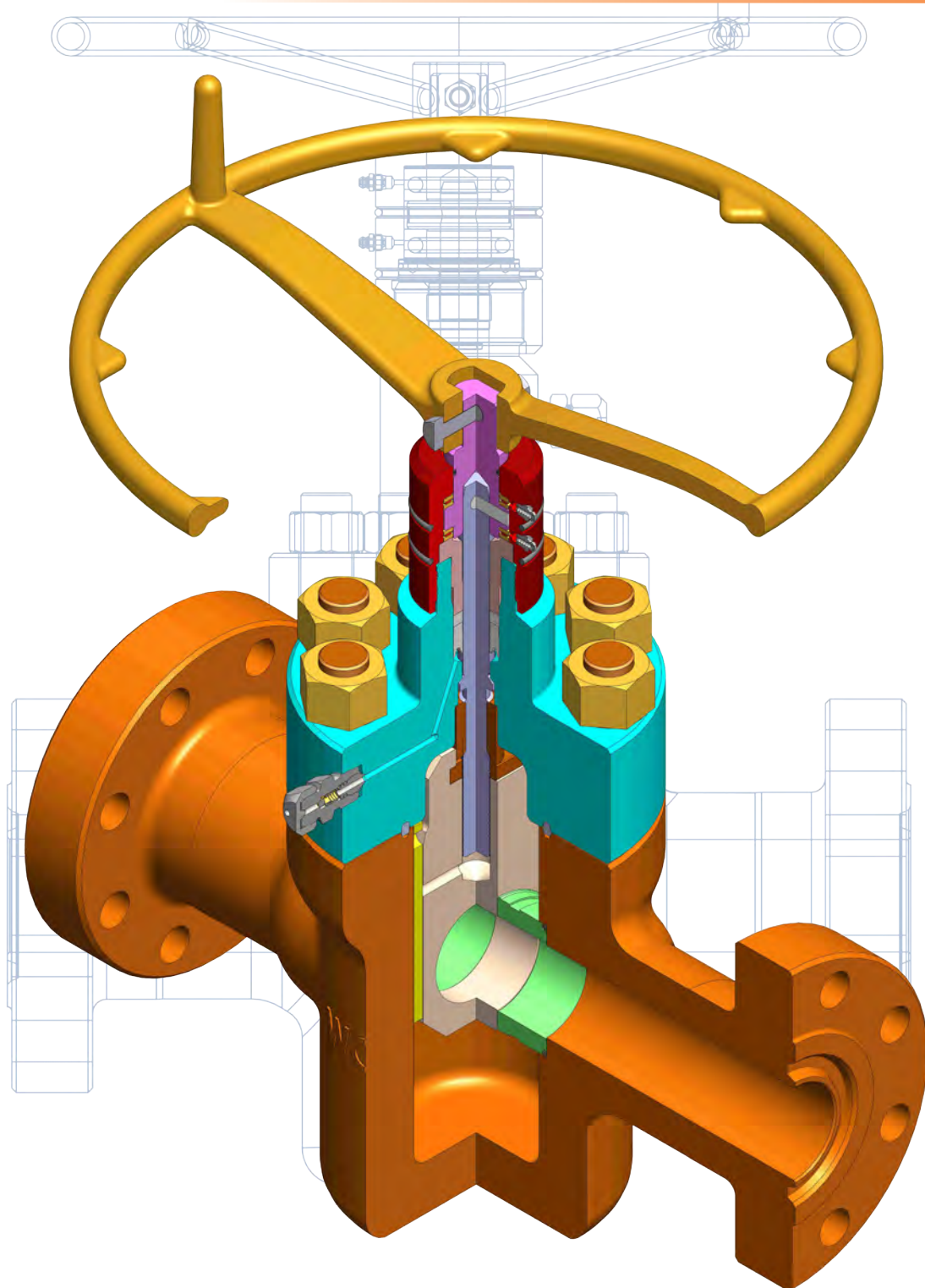




# Model 500 Gate Valve

WORLDWIDE OILFIELD MACHINE  
[www.womusa.com](http://www.womusa.com)



Invention, Unique Design and Extraordinary Craftsmanship

# Model 500 Gate Valve

The Model 500 Gate Valves provide the versatility and interchangeability necessary for a wide range of demanding flow control applications, including Manifolds and Christmas Trees. Body and bonnet are constructed of forged steel for maximum reliability and safety.

For severe applications, weld-clad corrosion-resistant alloy linings can be applied to base forgings for maximum protection for the valve's internal service area.

Model 500 Gate Valves are also available in Forged Stainless Steel.

## Unique Features

### Bi-Directional Sealing

- The gate-and-seat assembly seals in both directions, upstream and downstream.
- The gate and seat can be reversed for increased service life.

### Metal-to-Metal Seal

- Sealing at gate-to-seat is metal-to-metal.
- All WOM gate valves feature a metal bonnet seal. "Model 500" in 3,000 and 10,000 PSI pressure ratings have a pressure-energized bonnet gasket.

### Lower Torque Required

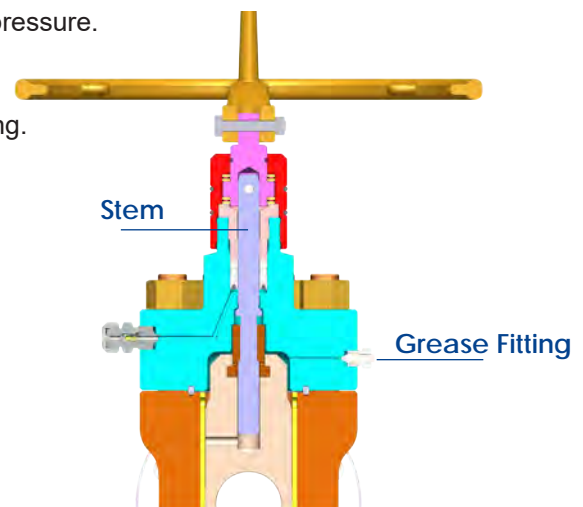
- Superior finish on Gate and Seats
- Floating Gate with T-Slot

### Back-Seating Stem

- Stem metal-to-metal backseat with bonnet to isolate stuffing box from line pressure, allows stem packing to be replaced while valve is under pressure.

### Grease Injection Fitting

- Body filler grease is injected through a simple, metal-to-metal sealing.
- Grease port can be used to test the back seat integrity.
- Handles all necessary valve cavity lubrication.

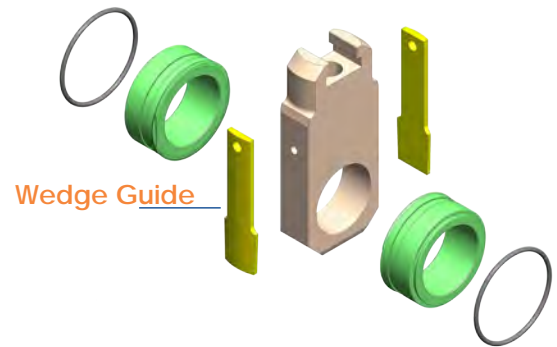


## One-Piece Seat and Gate Design

- Bi-directional sealing, seat to body and gate to seat.
- Solid slab gate means reliable sealing with easy field replacement.
- No special tools required to replace the gate and seat.

## Wedge Guide Design

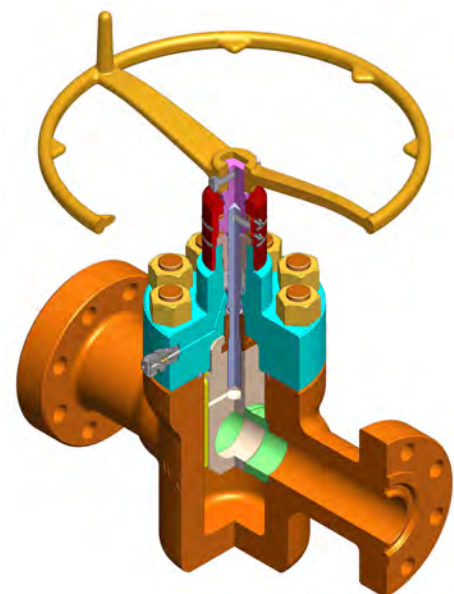
- The unique Wedge Guide design protects the seat seal from damage and exposure to well pressure.
- Body pocket seat sealing area is protected from foreign particles entering and damaging the area.
- Seat assembly is locked in place providing a perfect downstream seal.



One Piece Seat and Gate with Wedge Guide Design

## Technical Specifications

- Available in sizes 1-13/16" to 7-1/16"
- Working pressure ratings of 3,000 to 10,000 psi
- Metal to Metal and Elastomeric Sealing
- Bi-directional, Downstream Sealing
- Spec – API-6A
- NACE – MR-01-75
- PSL – 3G
- PR – 2
- Material Class – AA TO HH-NL
- Temperature – L + X (-50° F to 350° F)



Model 500 Gate Valve



WORLDWIDE OILFIELD MACHINE

## Contact Us



### **Worldwide Oilfield Machine, Inc. Headquarters/ U.S.A**

11809 Canemont Street  
Houston, Texas 77035 USA  
Phone: +1 (713) 729-9200  
Fax: +1 (713) 729-7321



### **Worldwide Oilfield Machine, Inc.**

5800 Cunningham  
Houston, Texas 77041 USA  
Phone: +1 (713) 937-0795  
Fax: +1 (713) 937-8574



### **Worldwide Oilfield Machine, Inc.**

11625 Fairmont St.  
Houston, Texas 77035 USA  
Phone: +1 (713) 721-5200  
Fax: +1 (713) 721-5205



### **Worldwide Oilfield Machine, Inc.**

11400 Tanner Rd.  
Houston, Texas 77041 USA  
Phone: +1 (713)-937-8323  
Fax: +1 (713) 937-8574



### **Worldwide Oilfield Machine Ltd. - UK**

7 St Machar Road  
Aberdeen  
AB24 2UU  
Scotland, UK  
Phone: +44 (01224) 484400  
Fax: +44 (01224) 489740



### **Worldwide Oilfield Machine Pvt. Ltd - India**

Gat No. 778, at Post Velu  
Pune Satara Rd.  
Tal. Bhor, Dist. Pune 412 205. India  
Phone 1: +91-8308210300  
Phone 2: +91-8308215300



### **Magna Casting & Machine Works**

Gat No. 777, at Post Velu  
Pune Satara Rd.  
Tal. Bhor, Dist. Pune 412 205. India  
Phone 1: +91-8308210300  
Phone 2: +91-8308215300



### **Magnum Forge & Machine Works**

Gat No. 777, at Post Velu  
Pune Satara Rd.  
Tal. Bhor, Dist. Pune 412 205. India  
Phone 1: +91-8308210300  
Phone 2: +91-8308215300



### **Worldwide Oilfield Machine, Inc.- Turkmenistan**

Yimpash Business Centre  
Turkmenbashi Shayoly 54  
Office #308 3rd Floor  
Ashgabat –Turkmenistan 744000  
Phone 1: +99-365 820130  
Phone 2: +99-365 309757



### **Worldwide Oilfield Machine, M.E. - U.A.E**

Jebel Ali Free Zone (JAFZA) South,  
Plot# S61302, Near Gate#12,  
P.O. Box: 32478  
Dubai (UAE)  
Phone: (971-4) 81 63 600  
Fax: (971-4) 81 63 601



### **Magnum Technology Center**

Jebel Ali Free Zone (JAFZA) South,  
Plot# S61302, Near Gate#12,  
P.O. Box: 32478  
Dubai (UAE)  
Phone: (971-4) 810 8600  
Fax: (971-4) 810 8601



### **PT Worldwide Oilfield Machine - Indonesia**

#11-08 One Pacific Place  
Sudirman Central Business District  
Jl. Jenderal Sudirman Kav. 52-53,  
Jakarta 12190  
Phone: + 1-832-372-0674



### **Worldwide Oilfield Machine Asia Pacific-Singapore**

17 Gul Way  
Singapore 629194  
Phone: +(65) 66901700  
Fax: +(65) 65603859



### **Worldwide Oilfield Machine- Korea**

#1012, 481-10, Byucksan Digital Vally-II,  
Gasandong, GumchonGu  
Seoul, Korea 153-803  
Phone: +82-2-854-6806



WORLDWIDE OILFIELD MACHINE

Est. 1980

©2011 Worldwide Oilfield Machine, Inc. [www.womusa.com](http://www.womusa.com)

Disclaimer. This catalog is published for informational purposes only. All previous catalogs are not valid and should not be used as a reference in any form.  
Rev. 2017